



Dual-Use Streetlight Program

Integrated Pole Option

2021 Dual-Use Streetlight Program

Integrated Small Cell Pole Options

As demand for mobile data expands, existing cellular towers cannot handle the required capacity for residents, businesses and public safety networks.

Xcel Energy is working directly with communities, wireless carriers and vendors to support deployments of 4G and 5G wireless networks. Telecommunications companies are turning to “small cells” mounted on new freestanding poles or existing structures, like streetlights. The Xcel Energy Dual-Use Streetlight Program encourages carriers to install small cells on new or existing streetlight poles reducing new infrastructure in the rights-of-way.

For communities with strict aesthetic requirements, Xcel offers the Integrated Small Cell Pole.



Xcel Energy is offering multiple dual-use streetlight pole options for communities to select the options that fit most closely with the existing infrastructure and architecture of community.

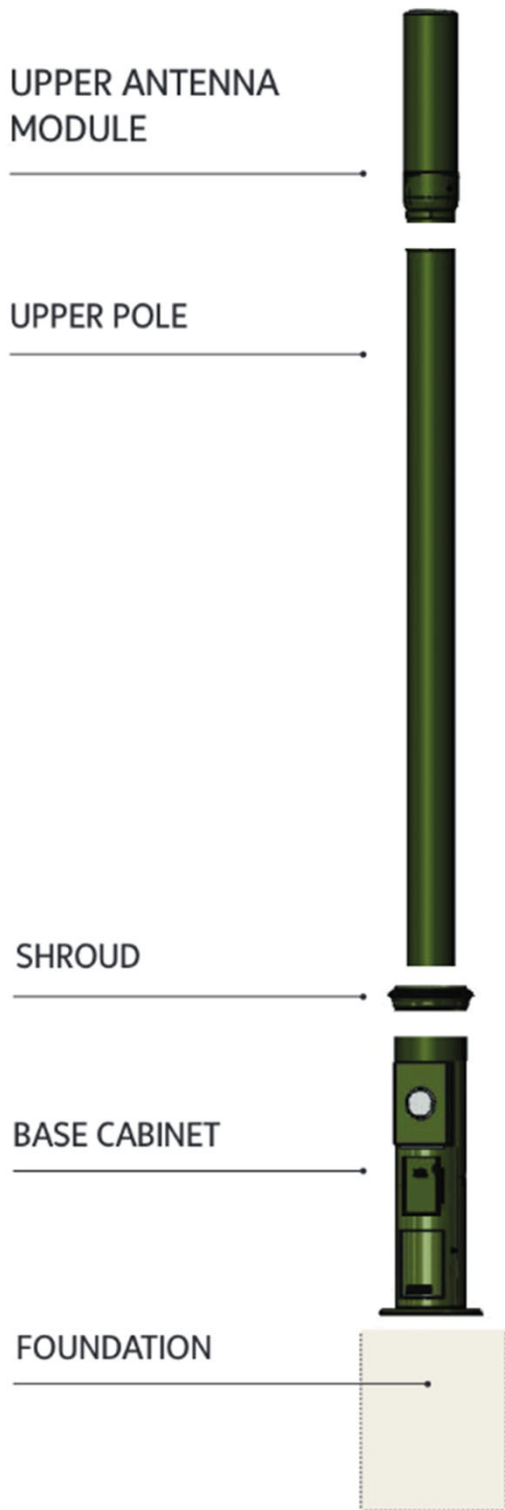
Use this guide to select the integrated CityPole[®] to match your community aesthetics.

Pick Your:

- Light Fixture
- Light arm
- Color



2021 Modular Design

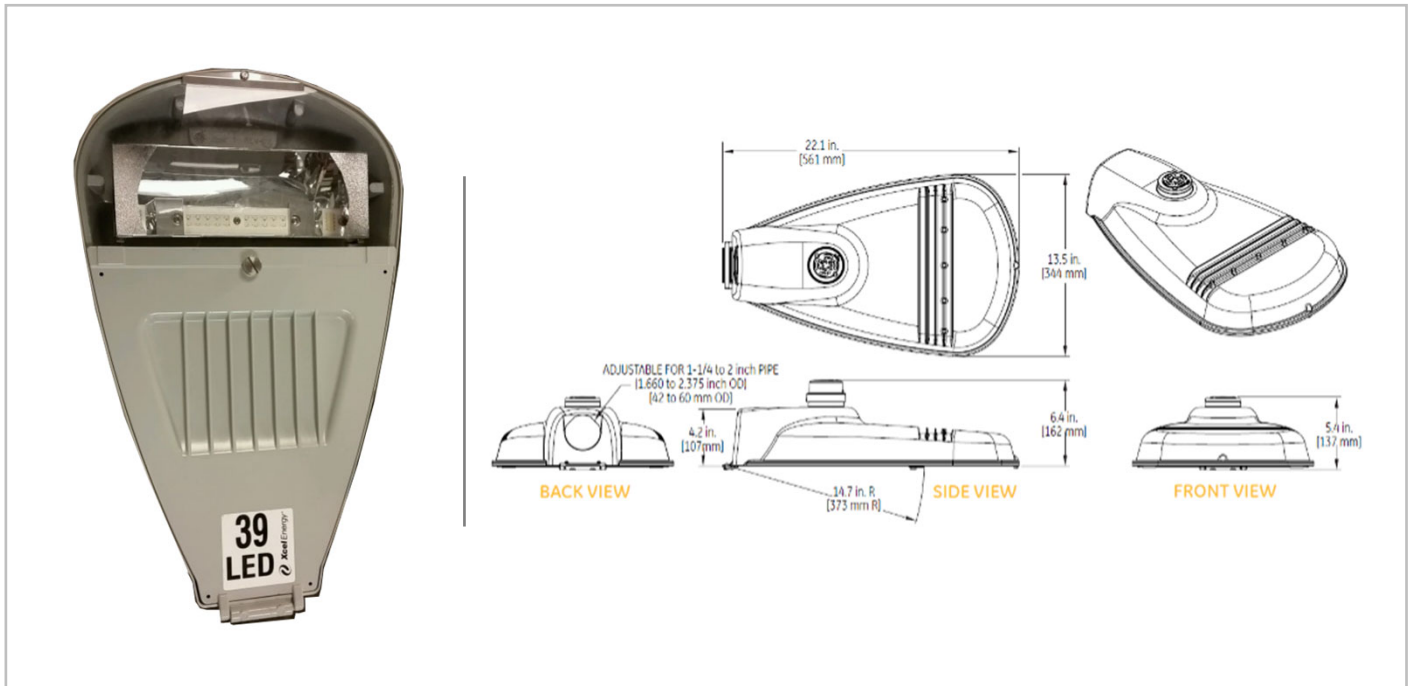


Straight Pole Diameter	10.75'
Straight Shaft Options (Including Base)	30' 35'

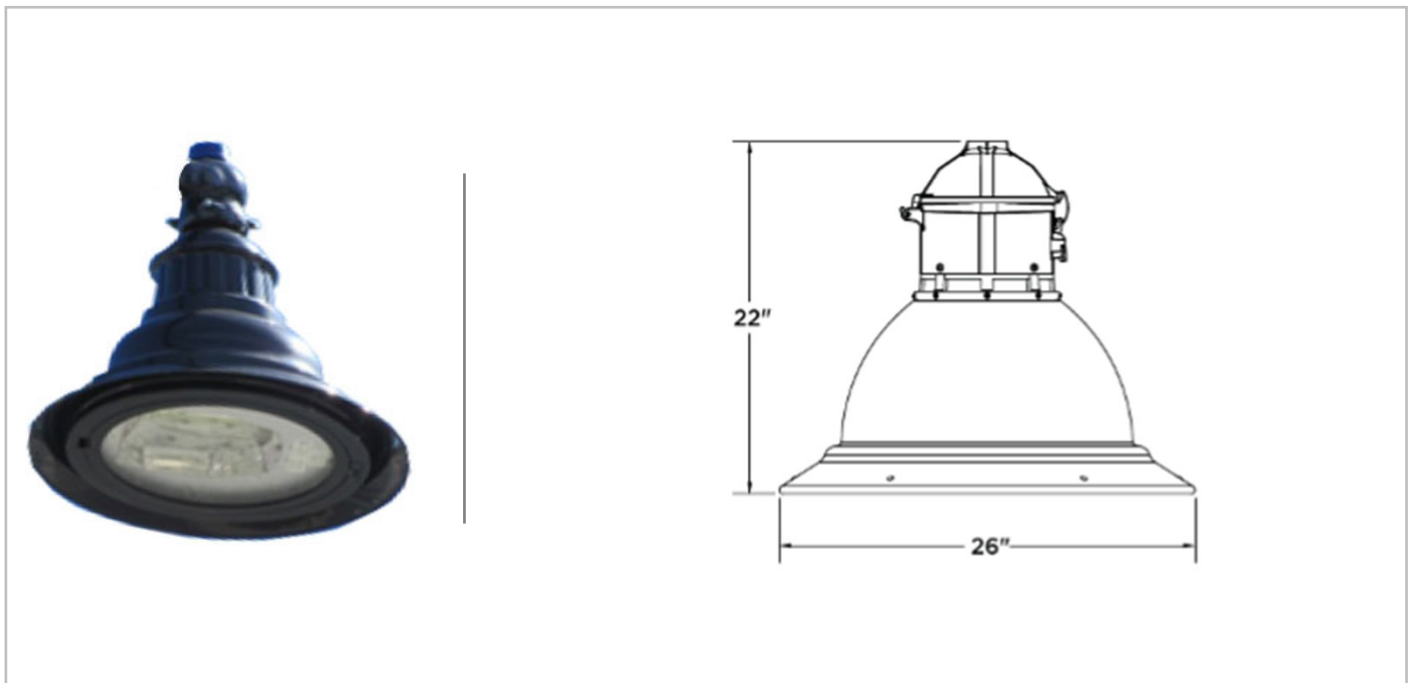
Fluted Pole Diameter	12.00' Tapered down to 8'
Fluted Shaft Options (Including Base)	30' 35'

Light Fixture Options

COBRA

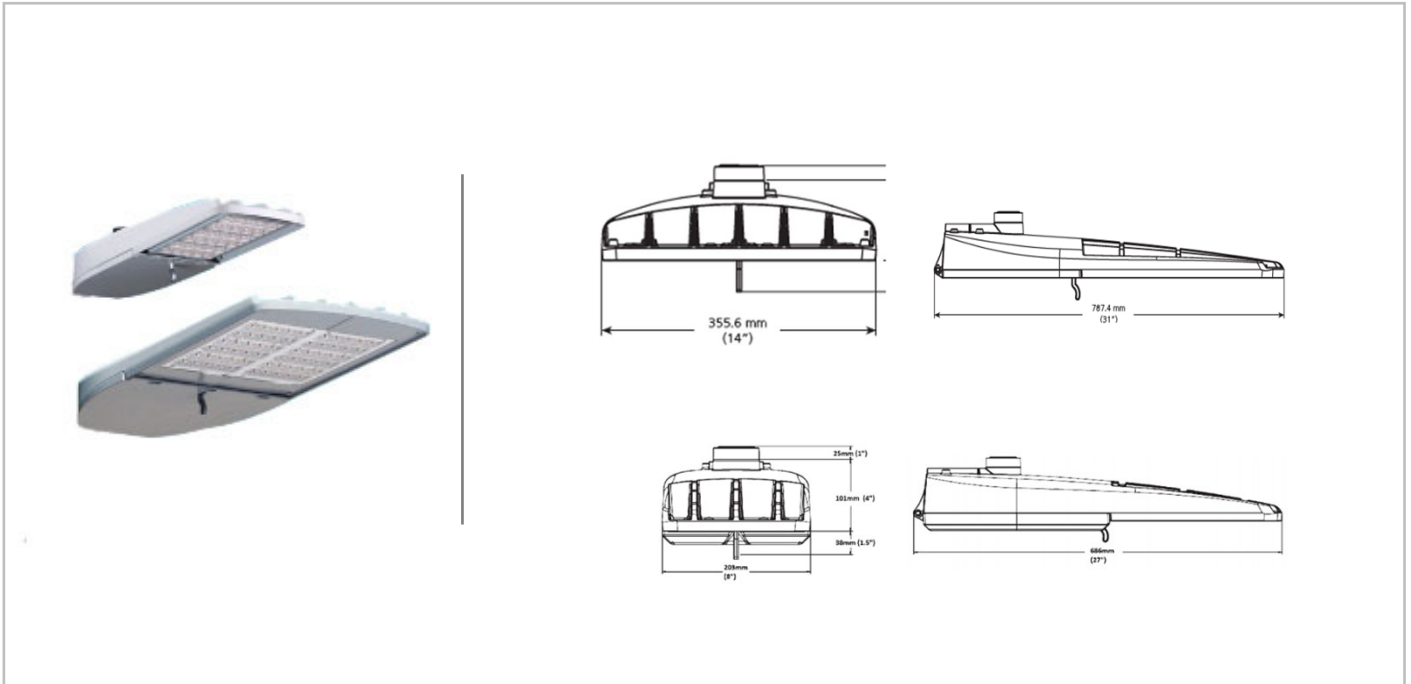


DOMUS

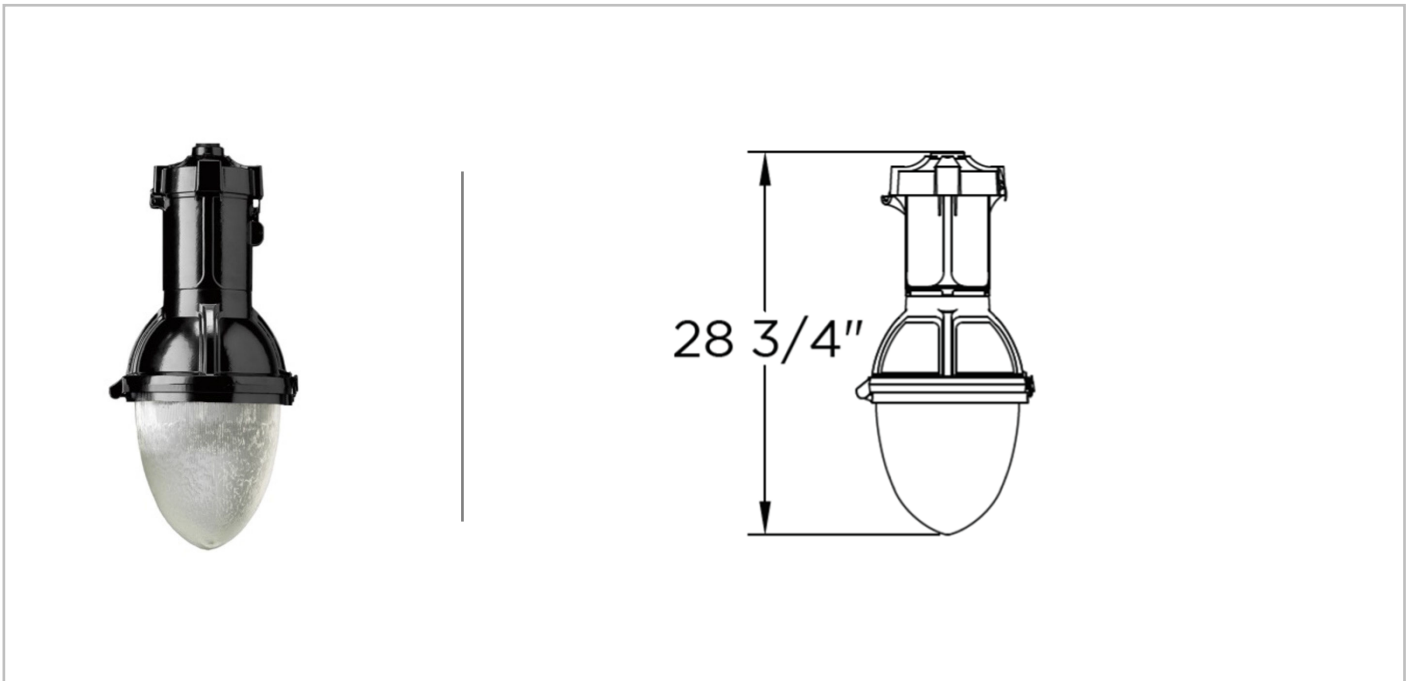


 **Light Fixture Options**

RECTILINEAR



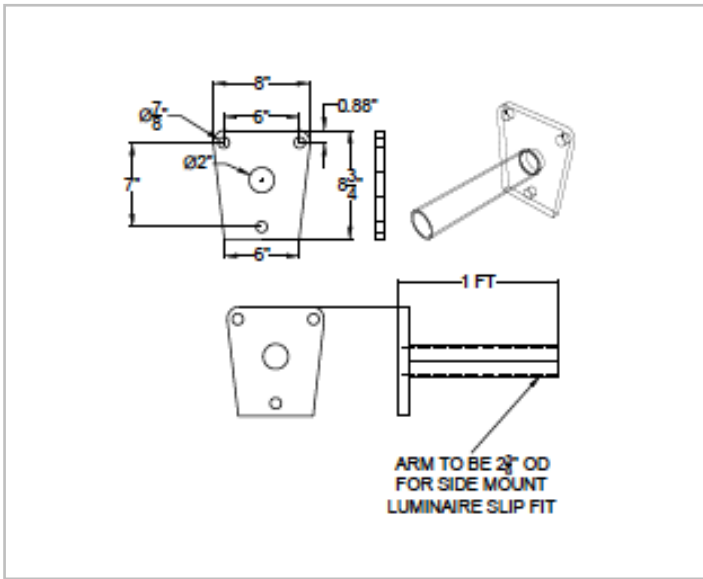
EVANS





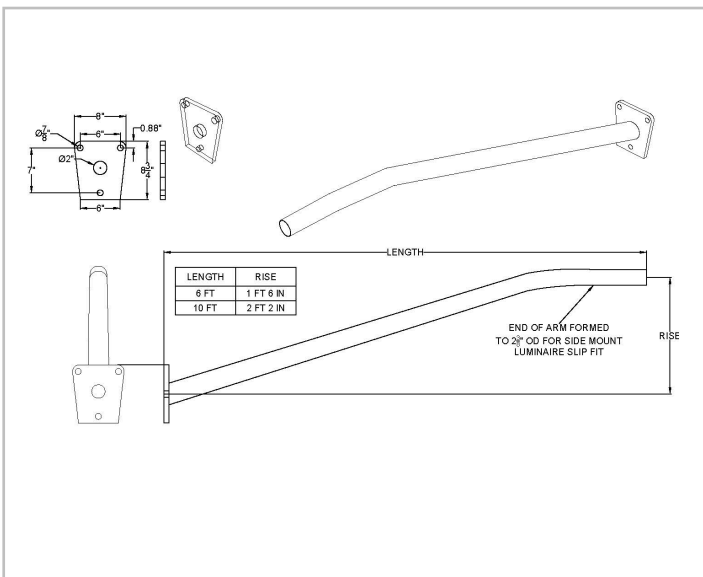
Light Arm Options

NON-TAPERED



- 1' length

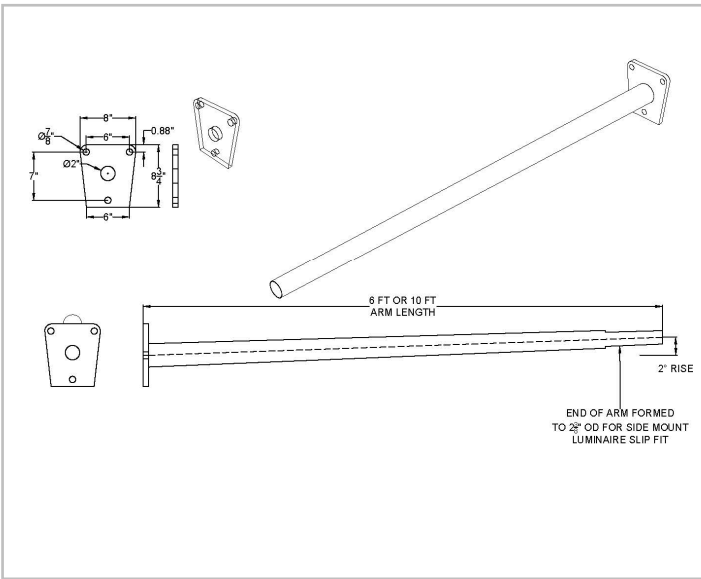
CURVED TAPERED



- 6' length
- 10' length

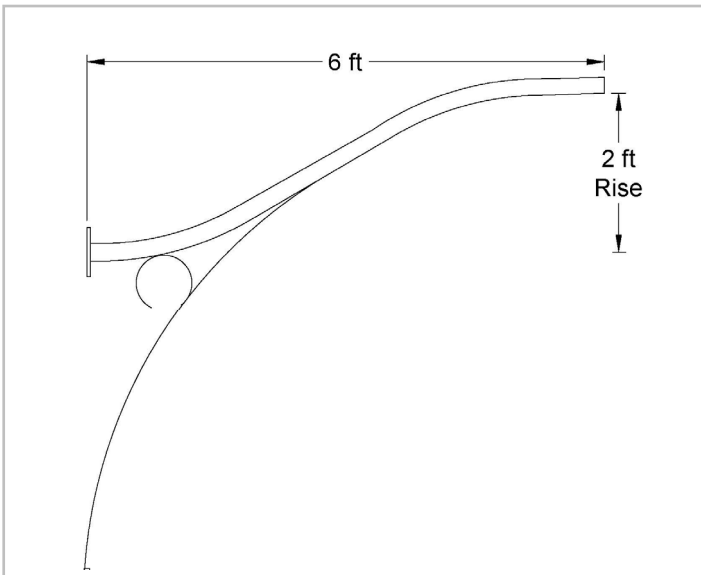
 **Light Arm Options**

STRAIGHT TAPERED



- 6' length
- 10' length

EVANS SWEEP



- 6' length

 **Color Options**

STANDARD COLOR OPTIONS

9017

**TRAFFIC
BLACK**

8019

**DARK
BRONZE/
BROWN**

6012

**FEDERAL
GREEN**

7039

**DARK
GREY**

GALVANIZED

7047

**LIGHT
GREY**

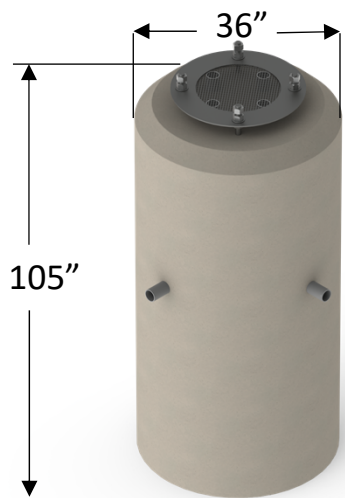


Foundation Options

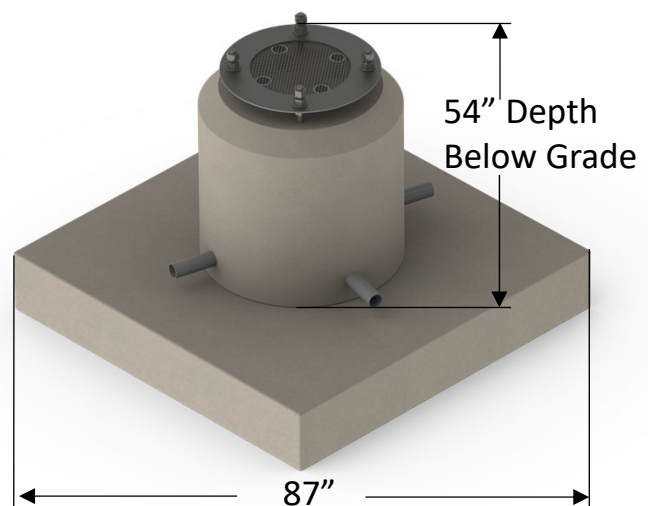
Comptek foundation design solutions for integrated and support poles include a wide range of options based on the site constraints, soil conditions and regional construction industry equipment and experience.

To expedite installation time in the right-of-way, Comptek offers flexible foundation solutions, including:

- pre-cast pad and pier
- pre-cast caissons
- cast-in-place foundations
- direct embedment of the pole
- steel foundation elements with connector flange
- helical anchors
- polyurethane foundation solutions



Pre-cast Caisson



Pre-cast Pad and Pier

All foundation types support underground conduit and connectors to fiber and power. Where interference in the ground opening may exist following excavation, our experienced engineers will inspect and develop foundation solutions to fit the site.





Selection Matrix

Pole Option	Light Fixture	Light Arm	Color
<input type="checkbox"/> 30' Straight Shaft	<input type="checkbox"/> Cobra	<input type="checkbox"/> 6' Straight Tapered	<input type="checkbox"/> Traffic Black
<input type="checkbox"/> 35' Straight Shaft	<input type="checkbox"/> Domus	<input type="checkbox"/> 10' Straight Tapered	<input type="checkbox"/> Dark Bronze/Brown
<input type="checkbox"/> 30' Fluted Shaft	<input type="checkbox"/> Rectilinear	<input type="checkbox"/> 1' Non-Tapered	<input type="checkbox"/> Federal Green
<input type="checkbox"/> 35' Fluted Shaft	<input type="checkbox"/> Evans	<input type="checkbox"/> 6' Curved Tapered	<input type="checkbox"/> Dark Grey
		<input type="checkbox"/> 10' Curved Tapered	<input type="checkbox"/> Light Grey
		<input type="checkbox"/> 6' Evans Sweep	<input type="checkbox"/> Galvanized



Questions?

303.425.3876

DualUseStreetlightPoles@xcelenergy.com